

AxoTrack® Needle Guidance Technology

Simple “point-and-shoot” access

Precisely



AxoTrack® Needle Guidance Technology

Ultrasound combines with advanced magnetic technology to achieve a breakthrough in needle guidance.



Engineered for your ease of use.

Small transducer footprint enables you to image in tight spaces, allowing easy access to subclavian vein and other targets.

Clearly observe guidewire passage into the target vein.

“Point-and-shoot” vascular access in three steps...



Step 1 • Plan the approach
Select the optimal window for vascular access and align the on-screen target line with the intended target.



Step 2 • Position the needle
Advance the needle through the guide until the target is accessed. Engage the needle clamp to stabilize the needle tip in the vein.



Step 3 • Pass the guidewire
Aspirate to confirm needle tip position and observe guidewire passage.

Designed to make your vascular access procedures faster and more precise.

Easily plot desired needle trajectory.

Observe a clear path to the target via the magnet interacting with sensors in the transducer.

Gain real-time information about the needle tip position.



Created to help you maintain precise control.

Guide needle with real-time visualization from start to finish.

Clamp needle in place during guidewire passage.

Achieve higher first-pass success rates.*

...to increase your accuracy and confidence.

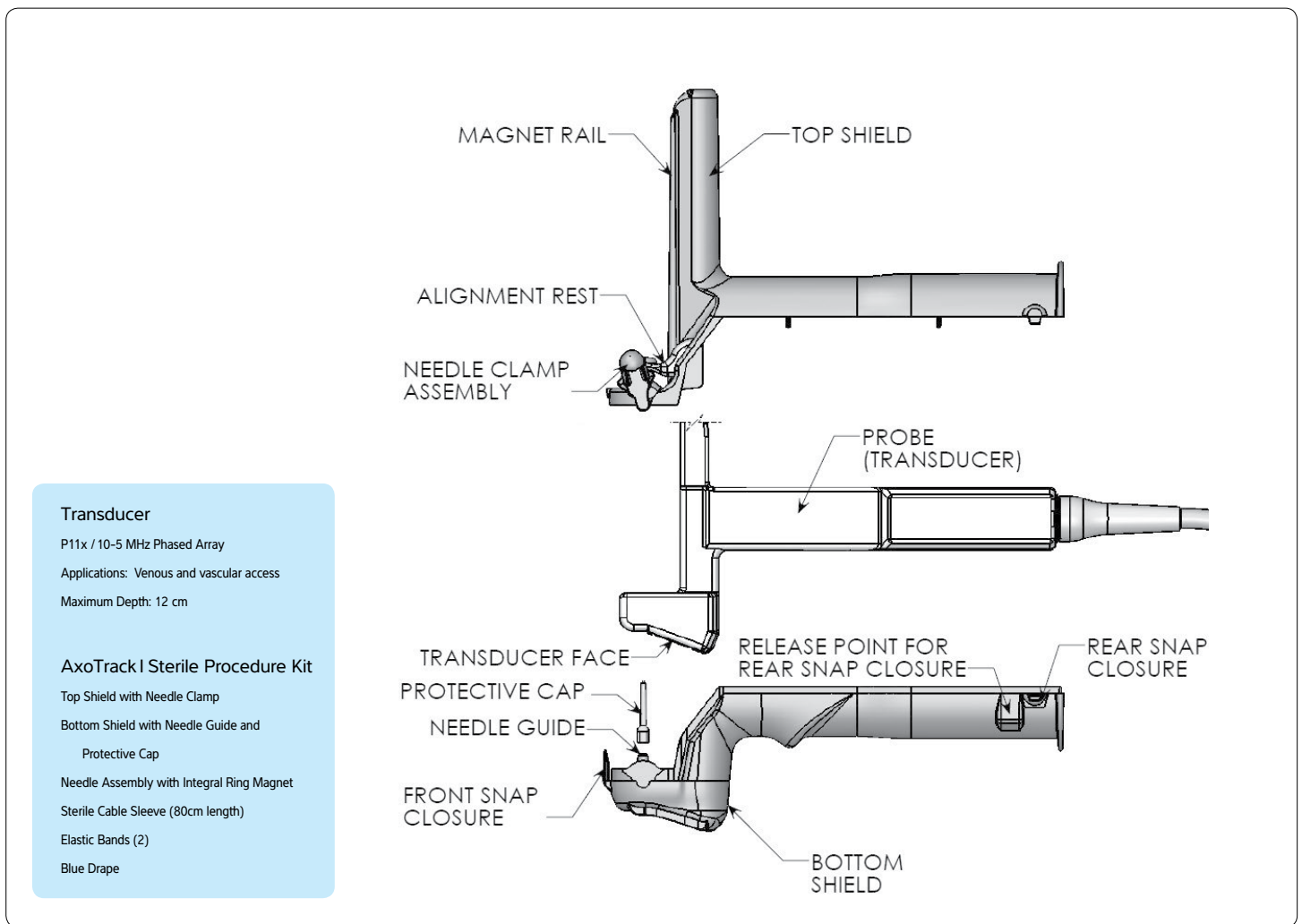
FIRST-PASS SUCCESS RATES AFTER 15 MINUTES OF TRAINING

USGIV	Overall*	Subclavian*	Internal jugular*
With AxoTrack	99%	98%	100%
Conventional	37%	22%	53%

* In an *in vitro* study P<0.001. Ferre, R.M. et al. The Use of a Novel Device Improves Ultrasound Guided IV Access. Supplement to Annals of Emergency Medicine, September 2010; 56(3):S74.

Advanced technology for simple needle guidance.

The AxoTrack System is composed of two primary components: a specialized transducer and a disposable, sterile procedure kit.



AxoTrack® Needle Guidance Technology

Confidence and control in targeting. Precisely.

Contact 1-877-299-1783 or www.sonosite.com/axotrack to learn more.